

Classic Lockable Fitch Fastener

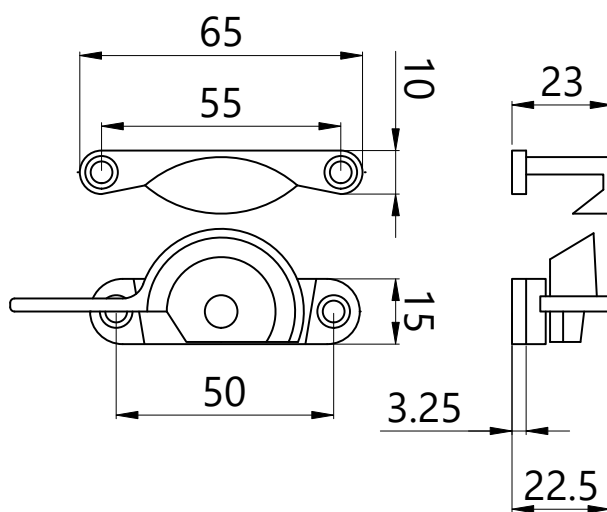
1080



Features

- Lockable with hex key (supplied).
- Manufactured from Solid Brass and supplied with matching stainless steel fixings.

Dimensions



Distinctive finishes are a hallmark of Hardwick Classic ironmongery.



Antique
Brass



Chrome
Plated



Polished
Brass



Satin
Brass



Satin Chrome
Plated



Trojan
Bronze