

Classic Ayston Ring Door Knocker

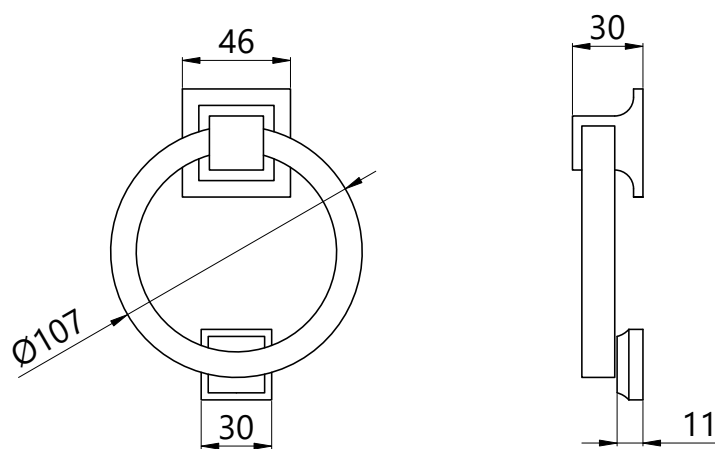
4210



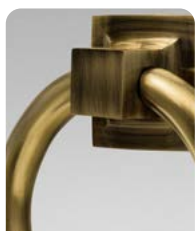
Features

- Classic Ring Door Knocker.
- Bolt through fixings suitable for doors up to 70mm thick.
- Manufactured from Solid Brass and supplied with matching stainless steel fixings.

Dimensions



Distinctive finishes are a hallmark of Hardwick Classic ironmongery.



Antique
Brass



Chrome
Plated



Polished
Brass



Satin
Brass



Satin Chrome
Plated



Trojan
Bronze