



# HARDWICK

CLASSIC RANGE

## 1050

Classic Ball Bearing Sash Pulley 80kg  
Square End (45mm wheel)



- ▶ Ball bearing sash pulley tested to 80kg.
- ▶ Radius wheel to accept sash-cord.
- ▶ Faceplate manufactured from Solid Brass.



Polished Brass (PB)

Chrome Plated (CP)

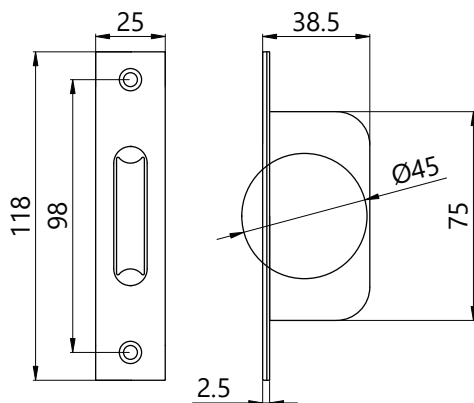
Satin Chrome Plated (SCP)

Antique Brass (AB)

Satin Brass (SB)

Tudor Bronze (TB)

Distinctive finishes are the hallmark of Hardwick Classic ironmongery - for more detail and maintenance information visit: [www.hardwick.co.uk/pages/finishes](http://www.hardwick.co.uk/pages/finishes)



**View product online**

FINEST BRASSWARE TO ENHANCE  
QUALITY DOORS AND WINDOWS