



HARDWICK

1056

Large Ball Bearing Sash Pulley 80kg
Radius End (50mm wheel)



- ▶ Ball bearing sash pulley tested to 80kg.
- ▶ Radius wheel to accept sash-cord.
- ▶ Large faceplate manufactured from Solid Brass.



Polished Brass (PB)



Chrome Plated (CP)

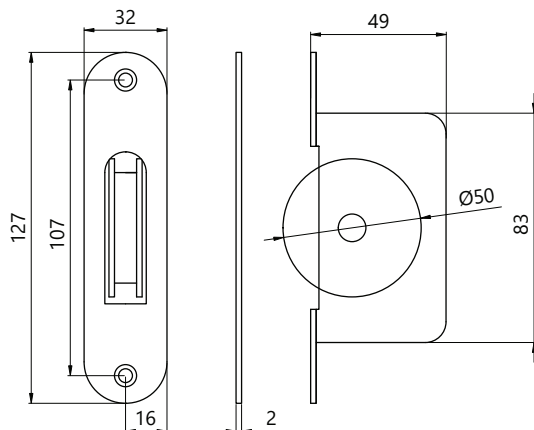


Satin Chrome Plated (SCP)



Antique Brass (AB)

Distinctive finishes are the hallmark of Hardwick ironmongery - for more detail and maintenance information visit: www.hardwick.co.uk/pages/finishes



View product online

**FINEST BRASSWARE TO ENHANCE
QUALITY DOORS AND WINDOWS**

www.hardwick.co.uk