

# Curved Neck Sash Lift

1090 / 1090FB

VERSION 1.0 | 05/26



## FEATURES

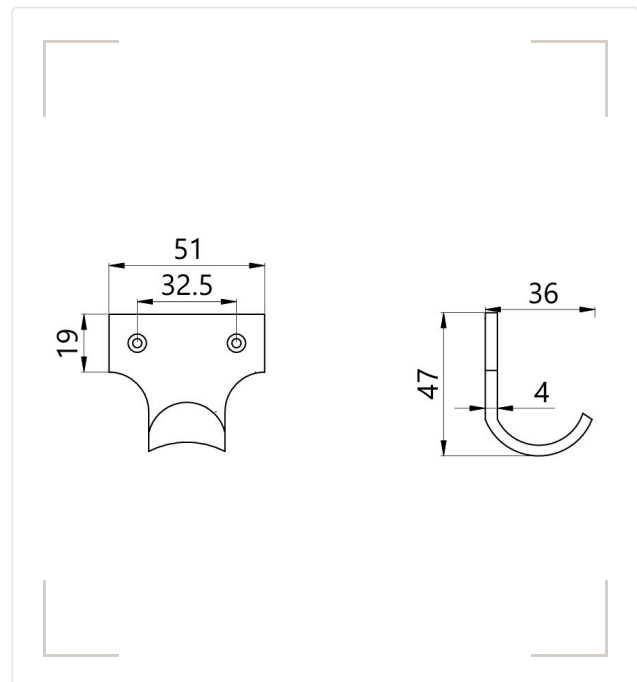
- Cast curved neck sash lift.
- Manufactured from solid brass and supplied with matching stainless steel fixings.
- Available in all 6 finishes of the Hardwick Classic Range.
- Available in Hardwick Heritage Forged Black finish.

## FINISHES

Choose any Hardwick finish and we'll guarantee a perfect match across the range.

- |  |                     |  |               |
|--|---------------------|--|---------------|
|  | Antique Brass       |  | Chrome Plated |
|  | Polished Brass      |  | Satin Brass   |
|  | Satin Chrome Plated |  | Trojan Bronze |
- 
- Forged Black (Heritage)

## DIMENSIONS



Dimensions may vary according to batch and tolerance allowances.